



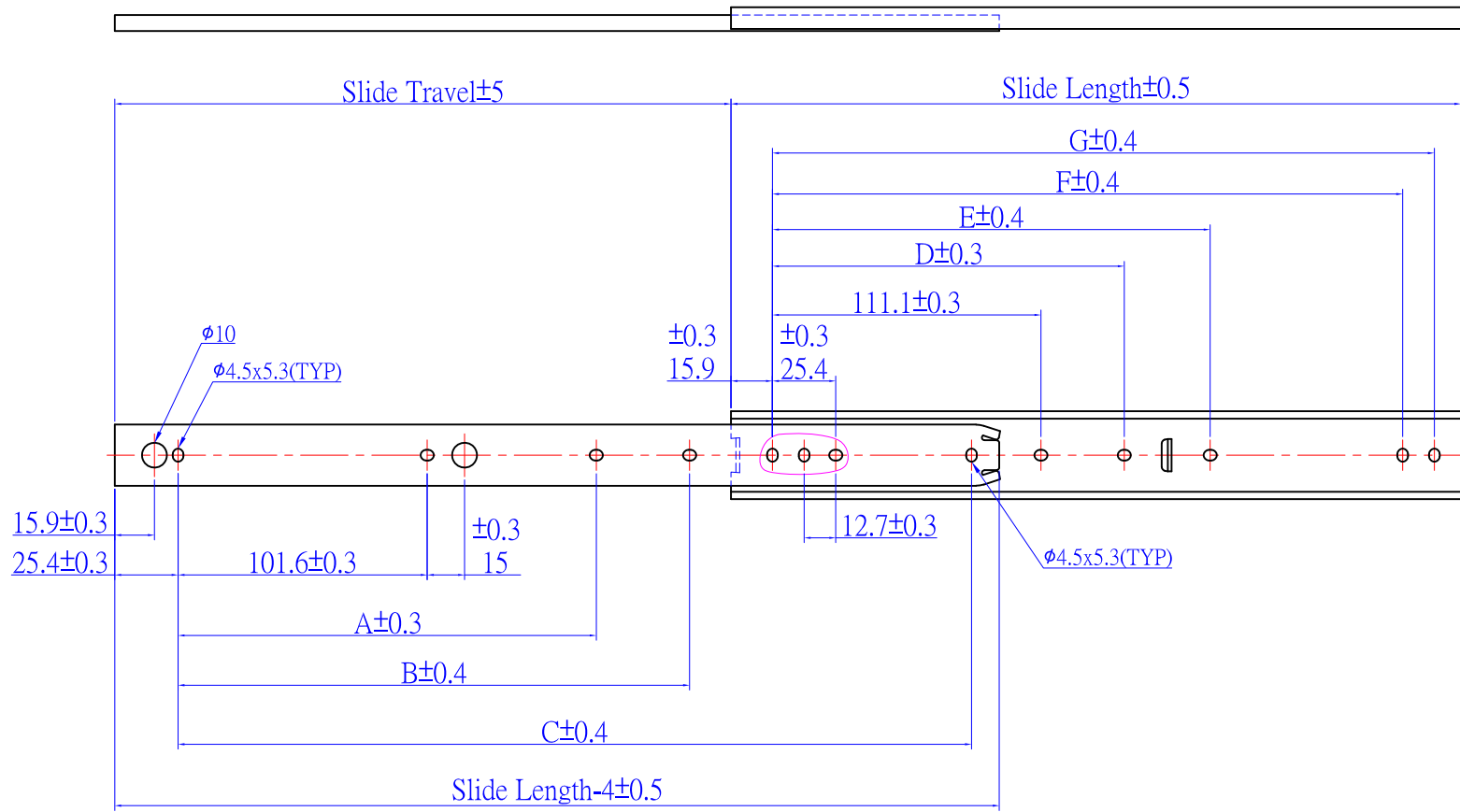
# 3500-57



<b>Mounting</b>	Side	<p style="text-align: center;">Profile</p>
<b>Side Clearance</b>	9.8mm +0.8/0	
<b>Height</b>	35.3mm	
<b>Material</b>	Steel	
<b>Load Rating</b>	39kg at 16" (400mm)	
<b>Size</b>	12"~28"	
<b>Disconnect</b>	Friction Disconnect	
<b>Finish</b>	EZP	

All Dimensions are in Millimeters (mm)

## Slide Dimensions



Size	Slide length	Slide Travel	Load Rating/Kg	A	B	C	D	E	F	G
12"	305	229	30		152.4	254		149.2	260.3	273
14"	356	279	37		203.2	304.8		200	311.1	323.8
16"	406	305	39		254	355.6		250.8	361.9	374.6
18"	457	330	37	203.2	304.8	406.4	212.7	301.6	412.7	425.4
20"	508	381	33	228.6	355.6	457.2	238.1	352.4	463.5	476.2
22"	559	406	31	254	406.4	508	263.5	403.2	514.3	527
24"	610	432	27	279.4	457.2	558.8	288.9	454	565.1	577.8
26"	660	483	24	304.8	508	609.6	314.3	504.8	615.9	628.6
28"	711	508	23	330.2	558.8	660.4	339.7	555.6	666.7	679.4