



# 3661-00

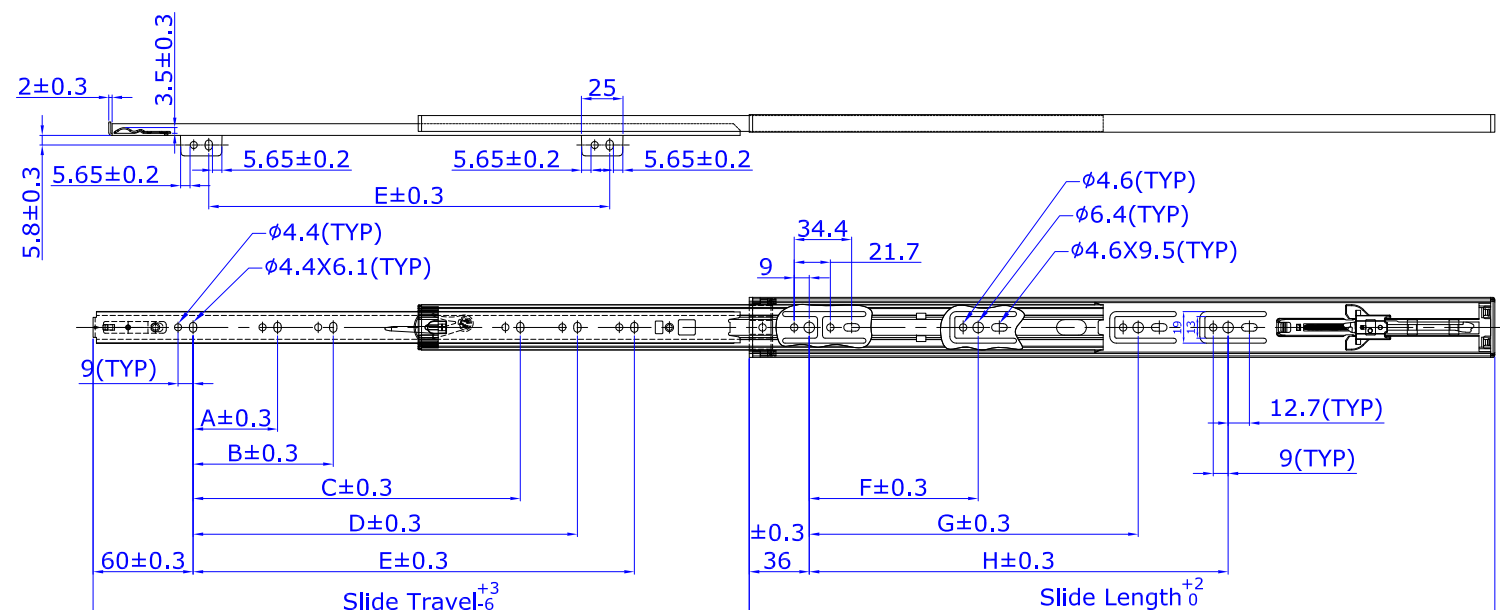


## PUSH-OPEN DRAWER SLIDE

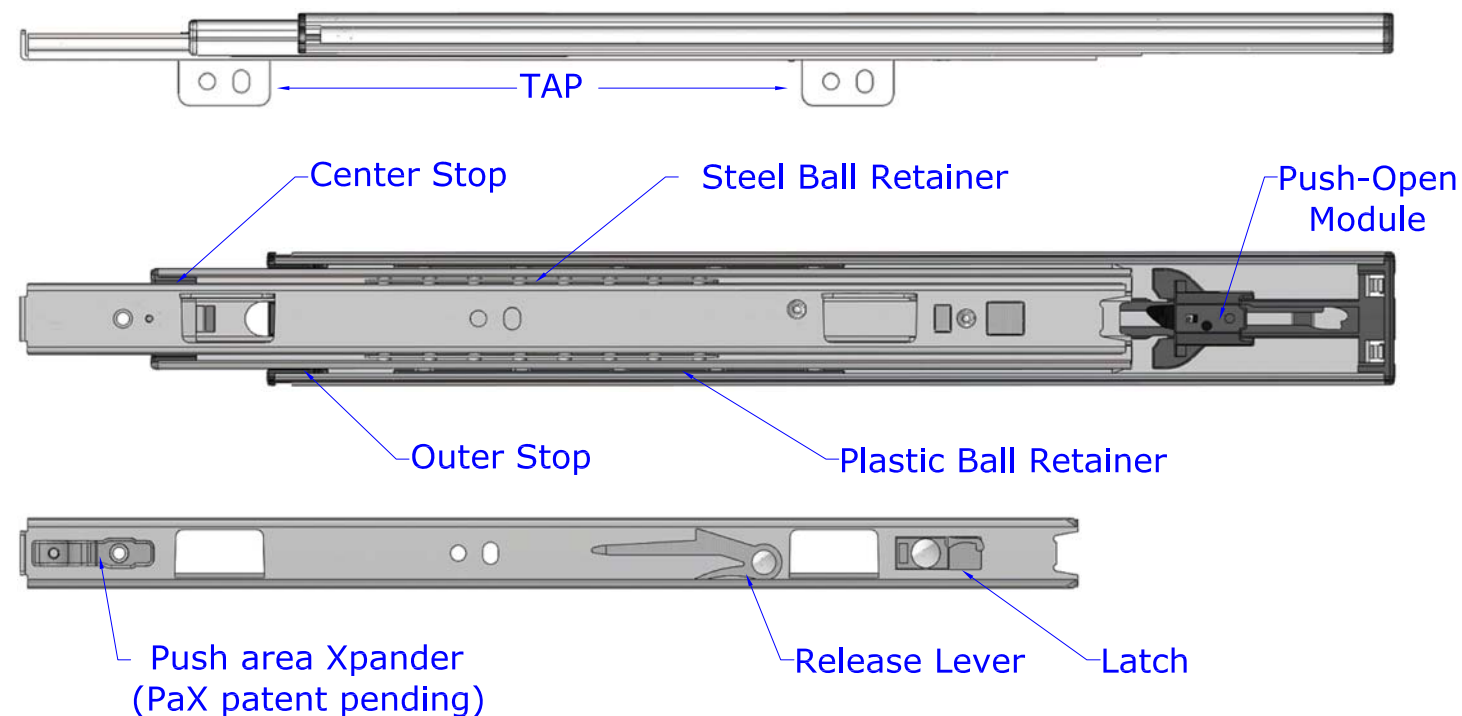
<b>Mounting</b>	Side	<p>Profile</p>
<b>Side Clearance</b>	12.7mm +0.8/0	
<b>Height</b>	36mm	
<b>Material</b>	Steel	
<b>Load Rating</b>	27 kg at 18" (450mm)	
<b>Size</b>	10" to 24" (250mm to 600mm)	
<b>Disconnect</b>	Lever	
<b>Finish</b>	Electro-Zinc plated with clear, yellow or black chromate	

### Slide Dimensions

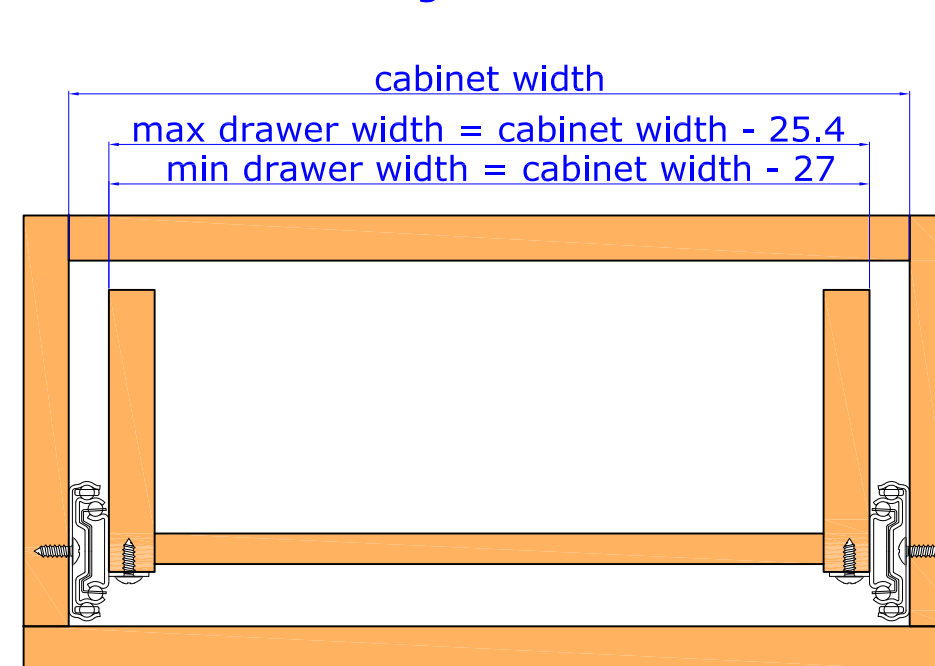
All Dimensions are in Millimeters (mm)



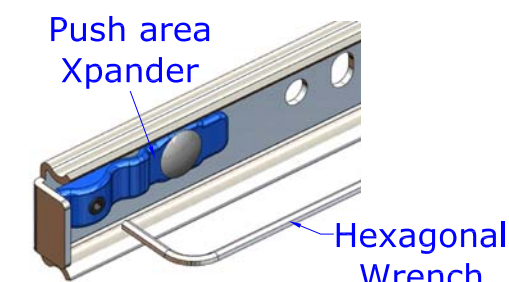
SIZE	Slide Length	Slide Travel	Load Rating/Kg	A	B	C	D	E	F	G	H
10" (250)	250	250	12					121	96		
12" (300)	300	300	15	71				171	128		
14" (350)	350	350	17	103				221	128	192	
16" (400)	400	400	22	103	231			271	128	208	
18" (450)	450	450	27	103	263			321	128	256	
20" (500)	500	500	22	103	167	295		371	128	224	304
22" (550)	550	550	22	103	199	327		421	128	224	354
24" (600)	600	600	22	103	199	327	391	471	128	256	384



### Drawer Slide Mounting Profile



\* max drawer width = slide length + 200 (mm)



Designed to increase the touch to open area. Fine tune (tighten or loosen) the PaX with hexagonal wrench for better surface contact, especially for wider drawers.



### APPLICATIONS:

For use in wood pedestals, dresser, desk, casework, residential and kitchen cabinetry.

