



4200-01

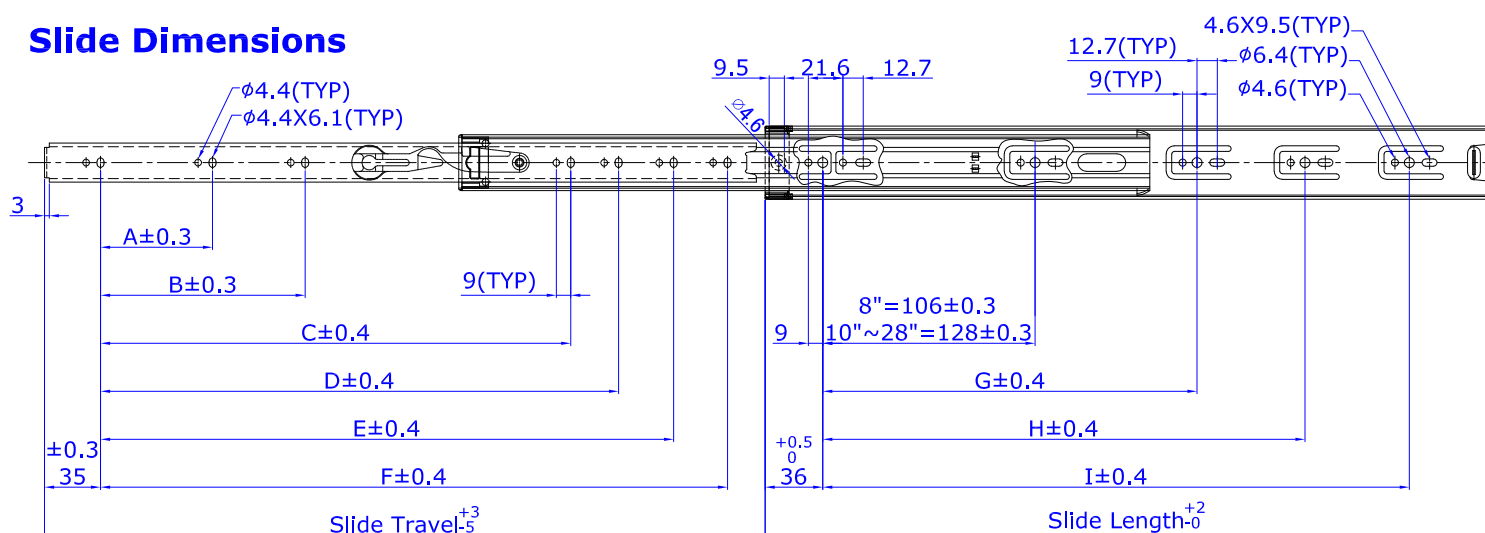


PRECISION BALL BEARING DRAWER SLIDE

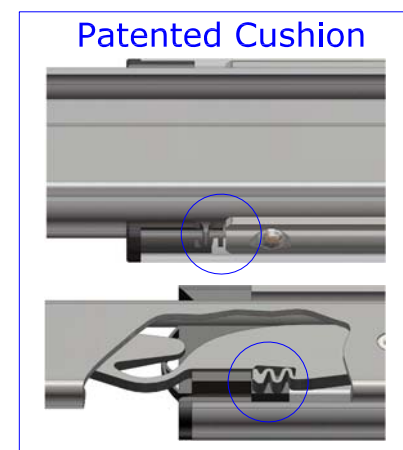
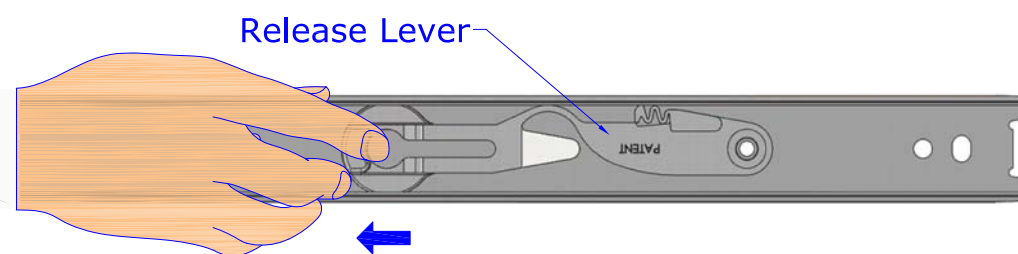
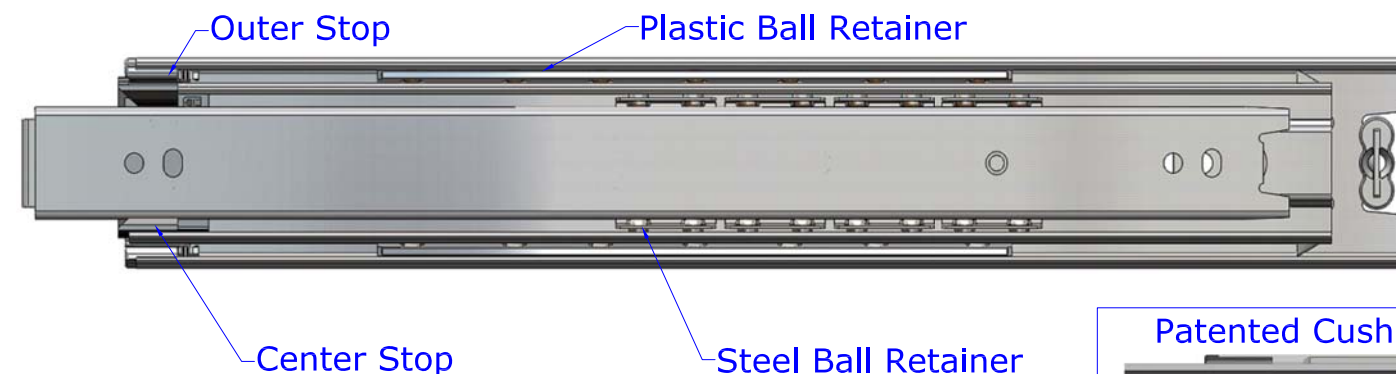
Mounting	Side	<p>Profile</p>
Side Clearance	12.7mm +0.8/0	
Height	45.5mm	
Material	Steel	
Load Rating	45kg at 18" (450mm)	
Size	8" to 28" (200mm to 700mm)	
Travel	Full Extension (Sizes 10" to 28")	
Disconnect	Lever (Non-handed design)	
Finish	Electro-Zinc plated with clear, yellow or black chromate	

All Dimensions are in Millimeters (mm)

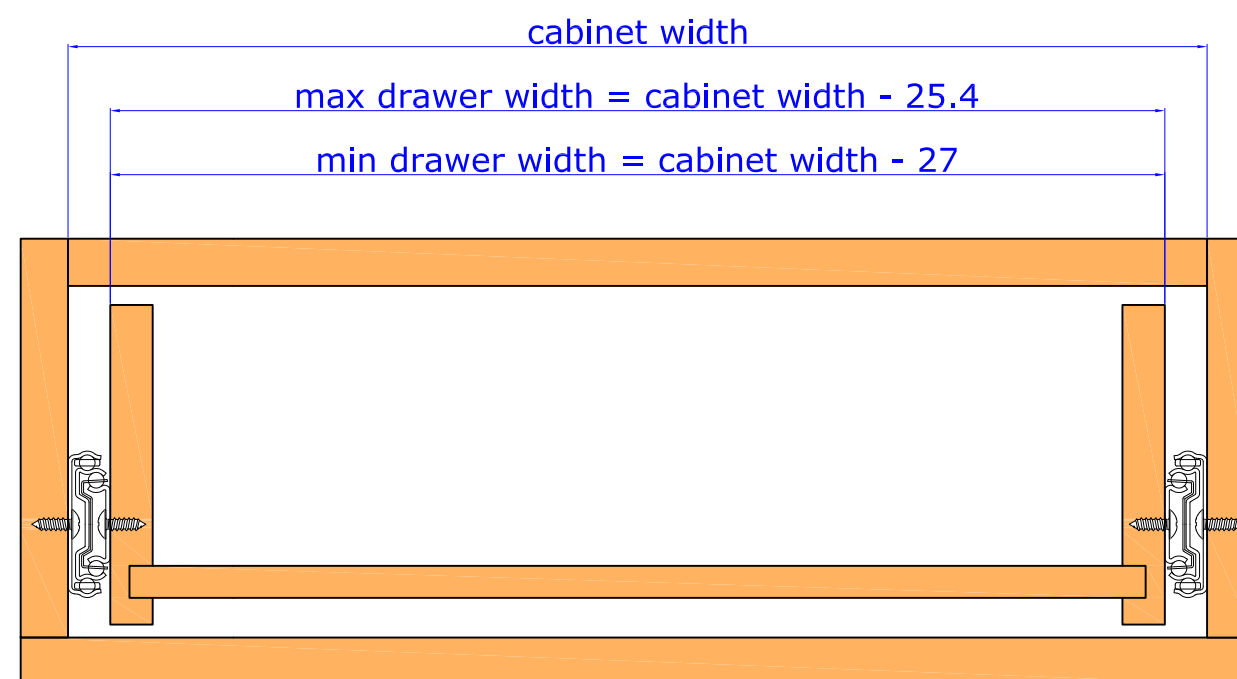
Slide Dimensions



SIZE	Slide Length	Slide Travel	Load Rating/Kg	A	B	C	D	E	F	G	H	I
8" (200)	200	196	20			142						
10" (250)	250	254	30			192						
12" (300)	300	305	35			242				224		
14" (350)	350	356	40			292				224		
16" (400)	400	406	42	96		342				224	320	
18" (450)	450	453	45	128		294	392			224	352	
20" (500)	500	515	42	96	160	344	442			224	416	
22" (550)	550	565	40	96	160	352	394	492		224	352	448
24" (600)	600	615	38	128	192	384	444	542		224	352	480
26" (650)	650	665	35	128	224	416	494	592		224	352	544
28" (700)	700	712	30	128	224	416	480	544	642	224	352	544



Drawer Slide Mounting Profile



APPLICATIONS:

For use in wood pedestals, dresser, desk, casework, residential and kitchen cabinetry.

