

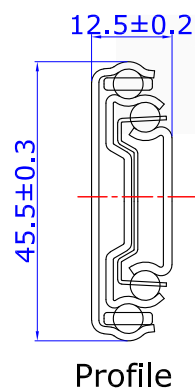


# 4260-00



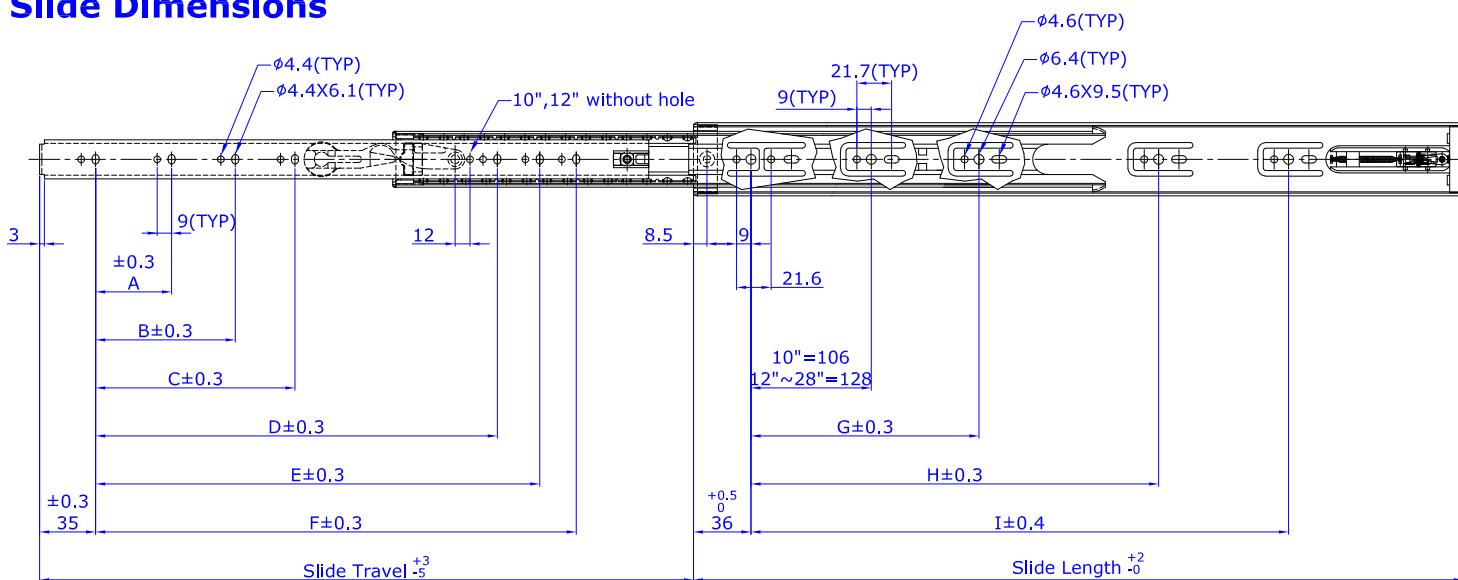
## PUSH-OPEN DRAWER SLIDE

<b>Mounting</b>	Side
<b>Side Clearance</b>	12.7mm +0.8/0
<b>Height</b>	45.5mm
<b>Material</b>	Steel
<b>Load Rating</b>	45kg at 18" (450mm)
<b>Size</b>	10" to 28" (250mm to 700mm)
<b>Travel</b>	Full Extension (Sizes 12" to 28")
<b>Disconnect</b>	Lever (Non-handed design)
<b>Finish</b>	Electro-Zinc plated with clear, yellow or black chromate

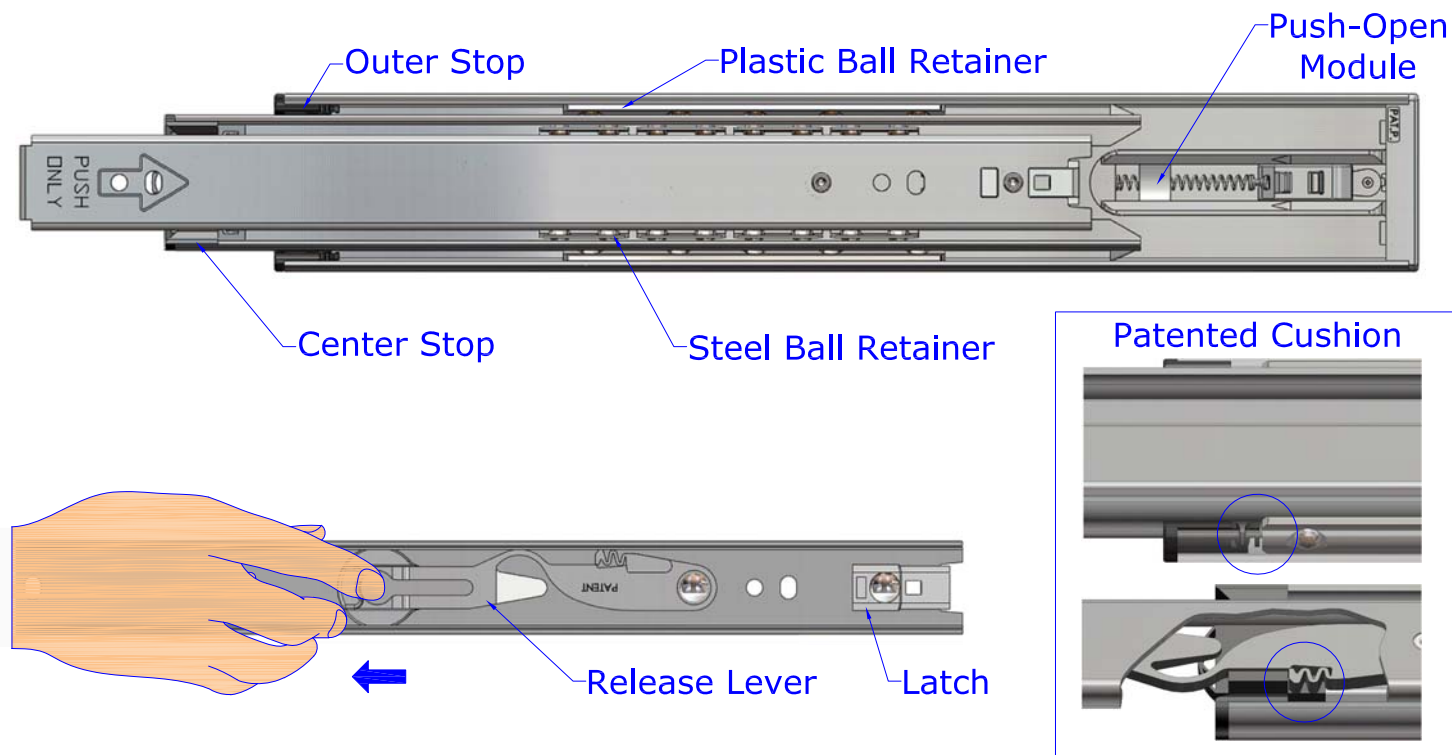


All Dimensions are in Millimeters (mm)

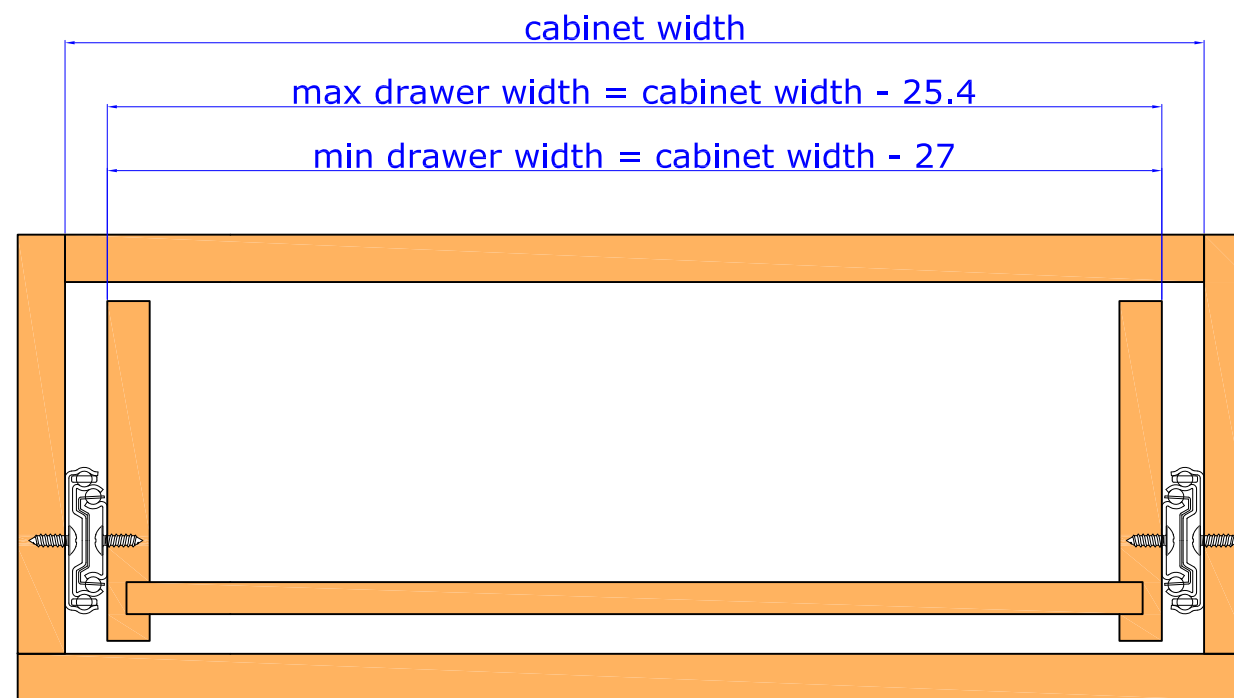
### Slide Dimensions



SIZE	Slide Length	Slide Travel	Load Rating/Kg	A	B	C	D	E	F	G	H	I
10" (250)	250	238	20						156			
12" (300)	300	305	25						200			
14" (350)	350	356	35	96					256	192		
16" (400)	400	406	40	128					294	224		
18" (450)	450	457	45	96	160				344	288		
20" (500)	500	508	45	96	160	352			394	224	352	
22" (550)	550	559	40	128	192	384			444	224	352	
24" (600)	600	610	40	128	224	416			494	224	352	448
26" (650)	650	660	35	128	224	416	480		544	224	352	480
28" (700)	700	711	35	128	224	288	480	544	594	224	352	544



### Drawer Slide Mounting Profile



\* max drawer width = slide length + 200 (mm)

### APPLICATIONS:

For use in wood pedestals, dresser, desk, casework, residential and kitchen cabinetry.

