



# 4270-00

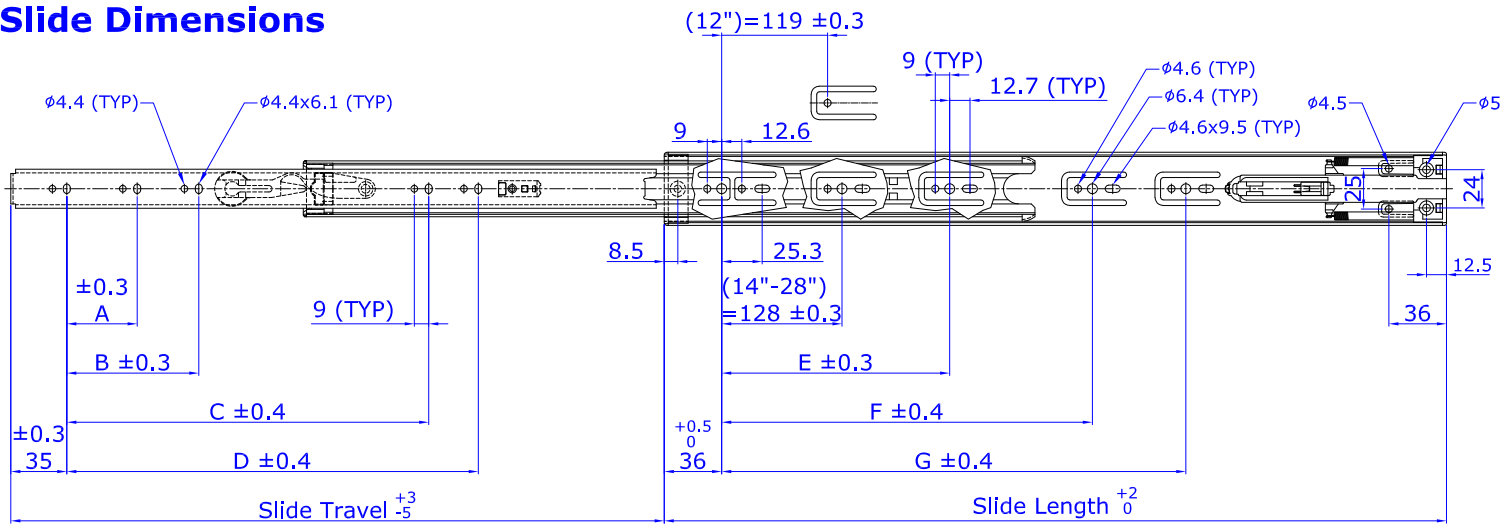


## SOFT-CLOSE DRAWER SLIDE

<b>Mounting</b>	Side	<p style="text-align: center;">Profile</p>
<b>Side Clearance</b>	12.7mm +0.8/0	
<b>Height</b>	45.5mm	
<b>Soft-Closing Stroke</b>	38mm	
<b>Material</b>	Steel	
<b>Load Rating</b>	45kg at 22" (550mm)	
<b>Size</b>	12" to 28" (300mm to 700mm)	
<b>Travel</b>	Full Extension (Sizes 16" to 28")	
<b>Disconnect</b>	Lever (Non-handed design)	
<b>Finish</b>	Electro-Zinc plated with clear, yellow or black chromate	

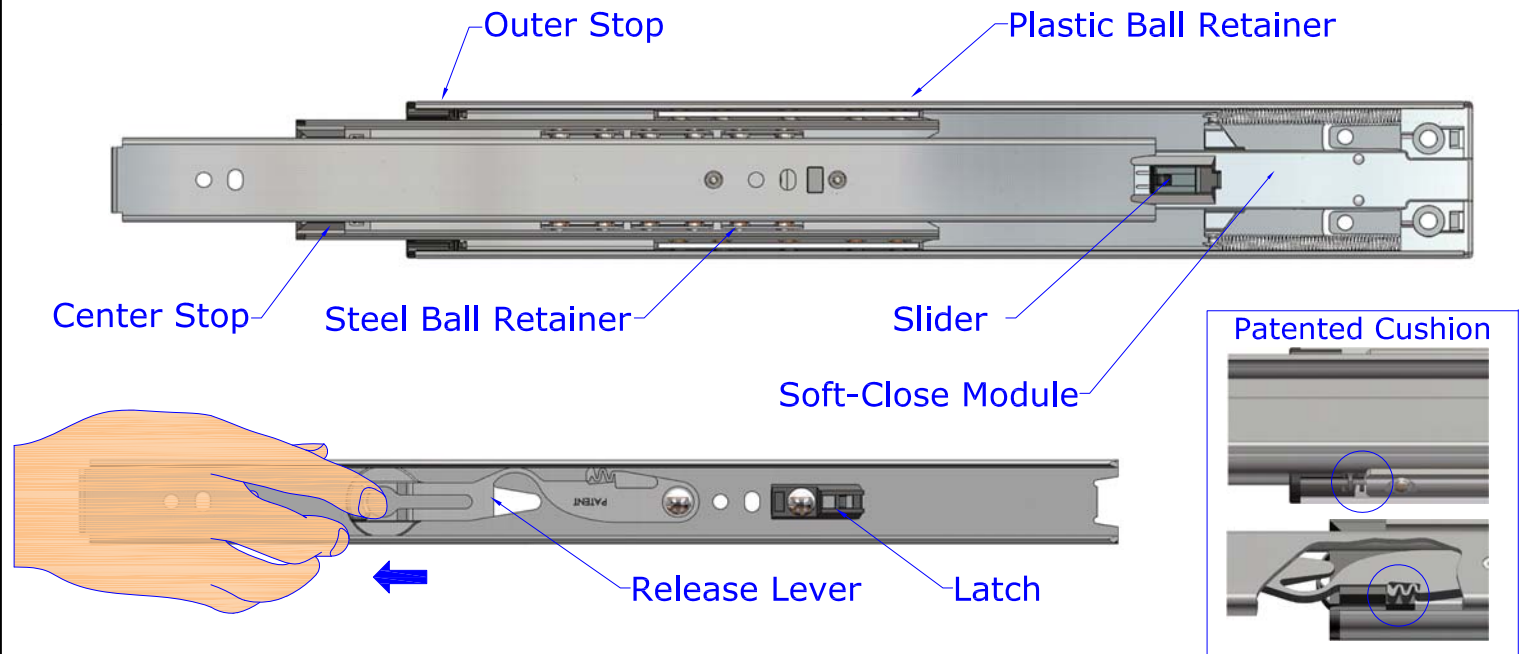
All Dimensions are in Millimeters (mm)

## Slide Dimensions

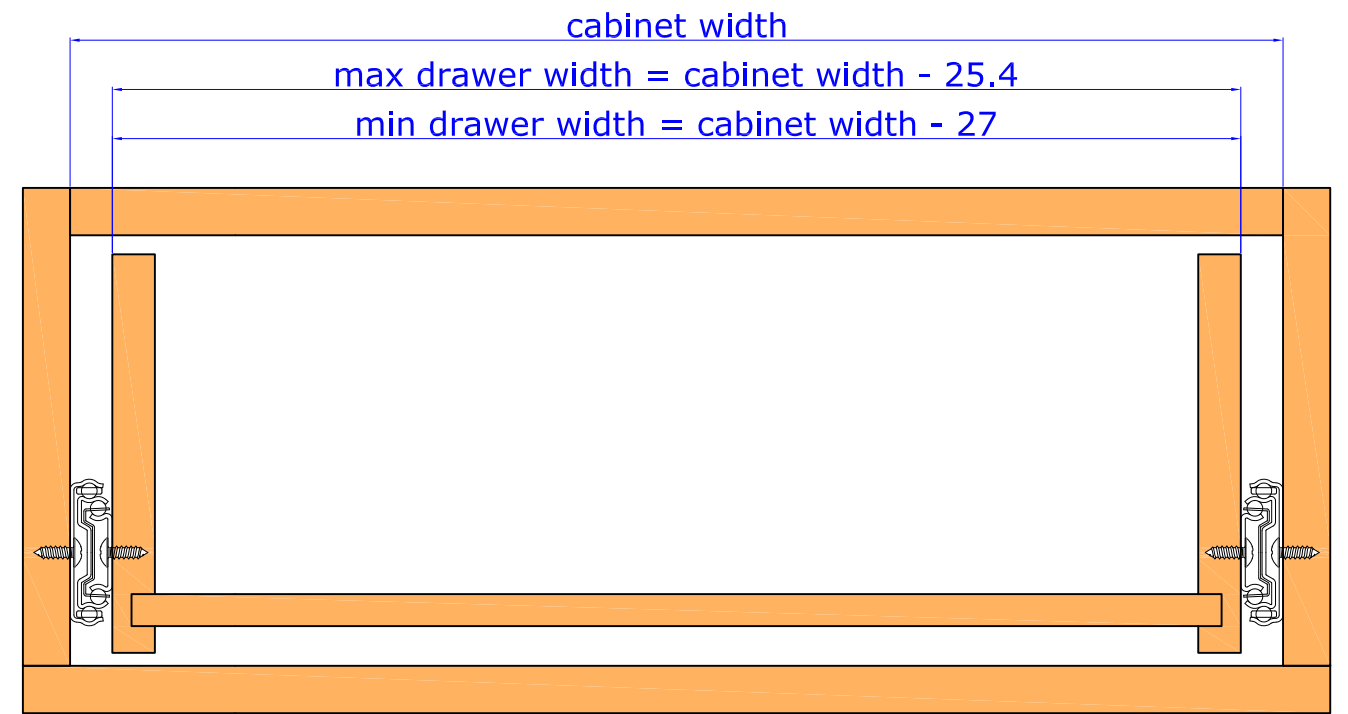


mm

SIZE	Slide Length	Slide Travel	Load Rating/Kg	A	B	C	D	E	F	G
12" (300)	300	213	20				156			
14" (350)	350	303	25				200			
16" (400)	400	404	30	96			256	208		
18" (450)	450	455	35	128			294	256		
20" (500)	500	505	40	96	160		344	304		
22" (550)	550	555	45	96	160		394	224	352	
24" (600)	600	605	35	128	192		444	224	352	
26" (650)	650	655	35	128	224	416	494	224	352	448
28" (700)	700	705	35	128	224	480	544	224	352	496



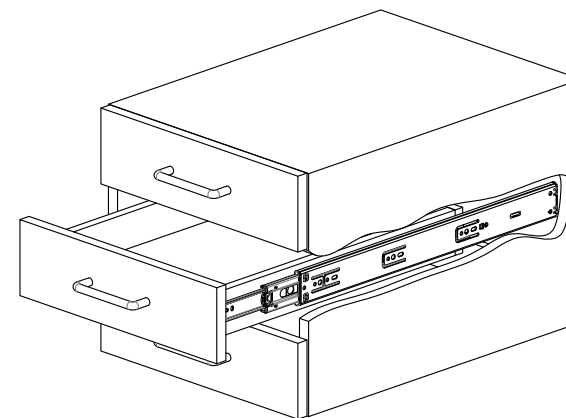
## Drawer Slide Mounting Profile



\* max drawer width = slide length + 200 (mm)

## APPLICATIONS:

For use in wood pedestals, dresser, desk, casework, residential and kitchen cabinetry.



## 38mm stroke of Soft-Closing

