



# 4700-00

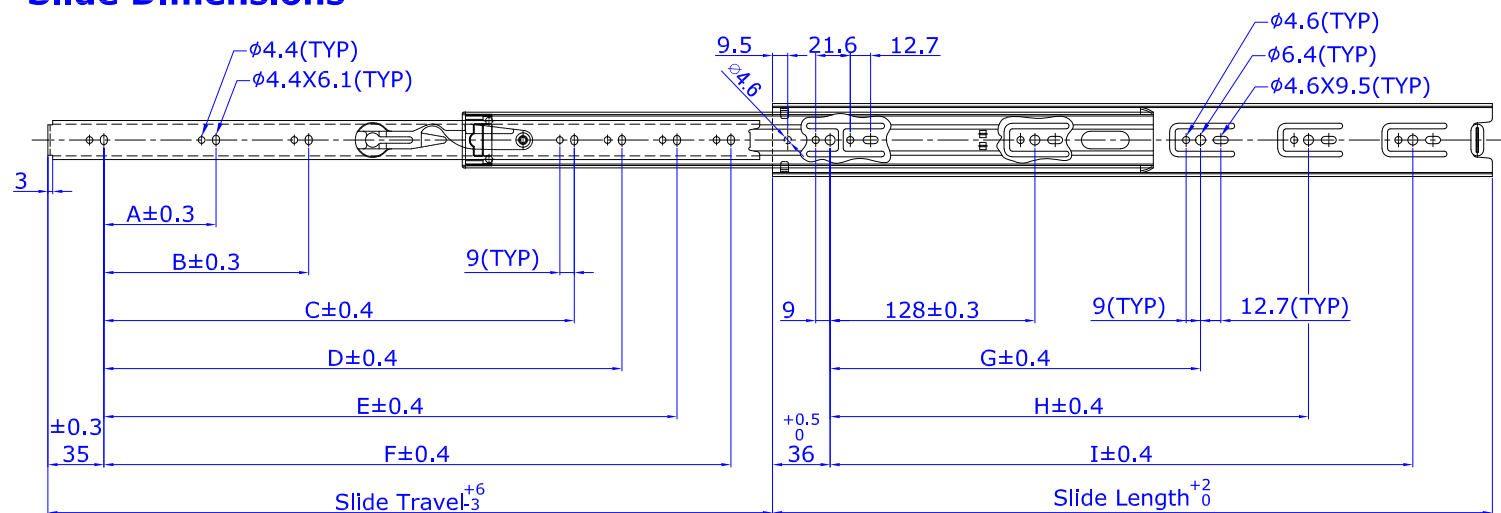


## PRECISION BALL BEARING DRAWER SLIDE

<b>Mounting</b>	Side	<p>Profile</p>
<b>Side Clearance</b>	12.7mm +0.8/0	
<b>Height</b>	46.7mm	
<b>Material</b>	Steel	
<b>Load Rating</b>	65kg at 22" (550mm)	
<b>Size</b>	10" to 28" (250mm to 700mm)	
<b>Travel</b>	Full Extension	
<b>Disconnect</b>	Lever (Non-handed design)	
<b>Finish</b>	Electro-Zinc plated with clear, yellow or black chromate	

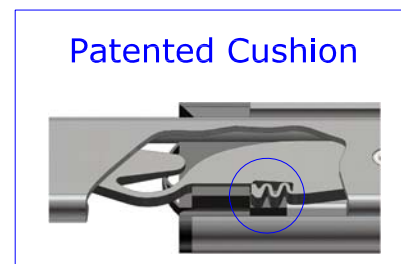
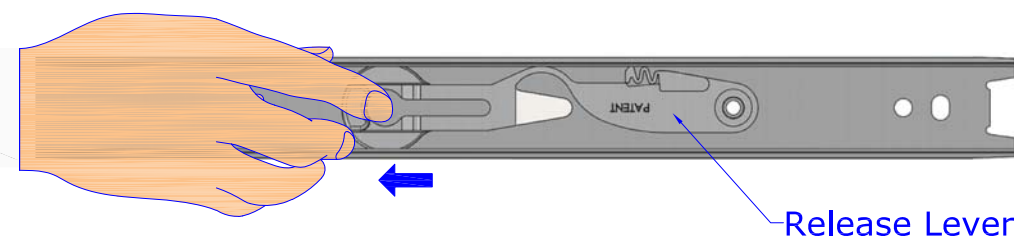
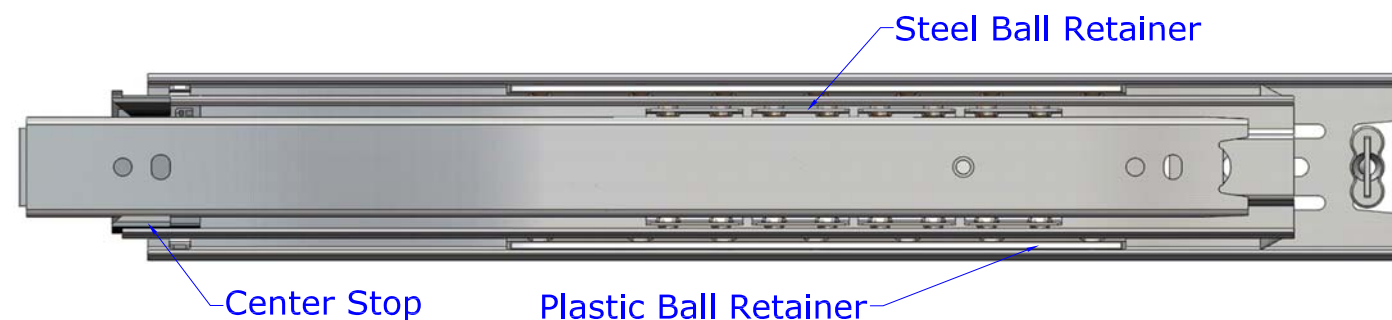
All Dimensions are in Millimeters (mm)

### Slide Dimensions

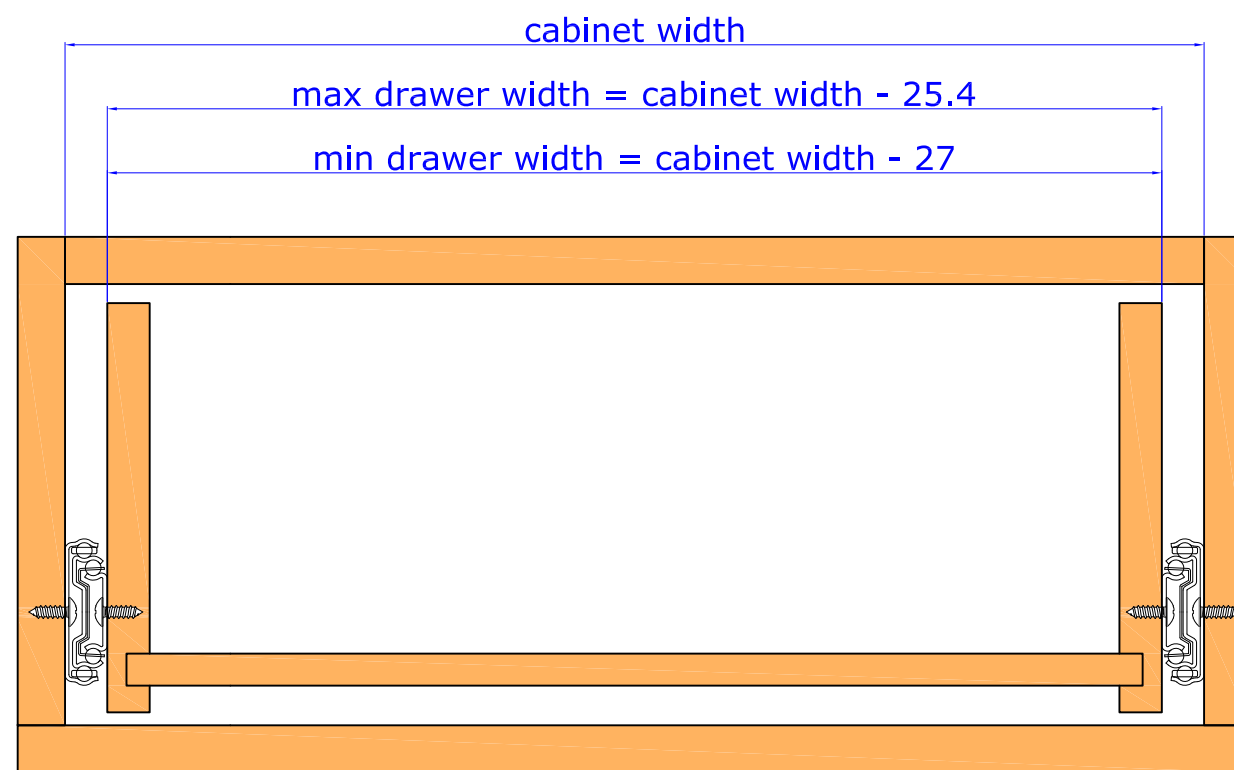


mm

SIZE	Slide Length	Slide Travel	Load Rating/Kg	A	B	C	D	E	F	G	H	I
10" (250)	250	254	40			192						
12" (300)	300	305	50			242				224		
14" (350)	350	356	55			292				224		
16" (400)	400	406	60	96		342				224	320	
18" (450)	450	453	65	128		294	392			224	352	
20" (500)	500	515	65	96	160	344	442			224	416	
22" (550)	550	565	60	96	160	352	394	492		224	352	448
24" (600)	600	615	50	128	192	384	444	542		224	352	480
26" (650)	650	665	45	128	224	416	494	592		224	352	544
28" (700)	700	712	45	128	224	416	480	544	642	224	352	544



### Drawer Slide Mounting Profile



### APPLICATIONS:

For use in wood pedestals, dresser, desk, casework, residential and kitchen cabinetry.

