



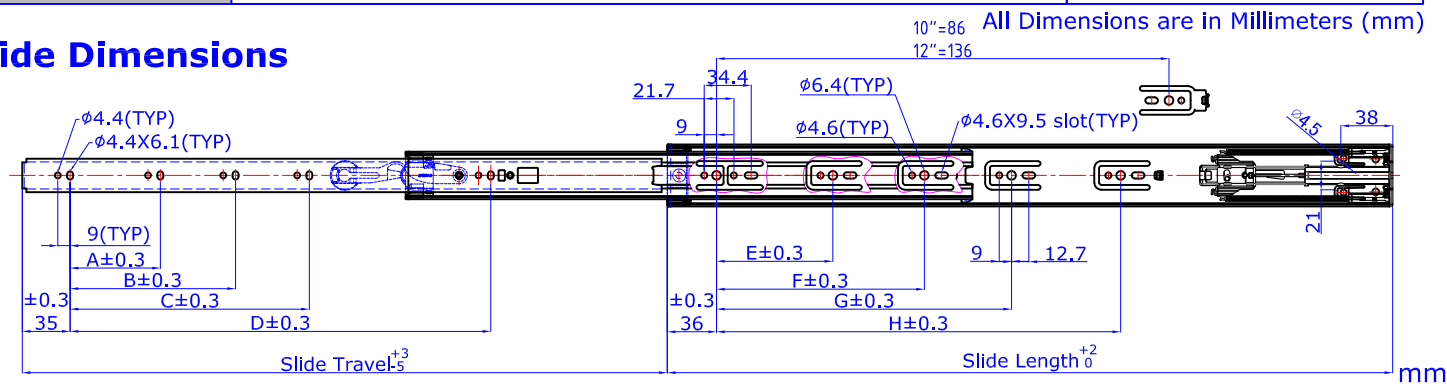
A270-00



SOFT-CLOSE DRAWER SLIDE

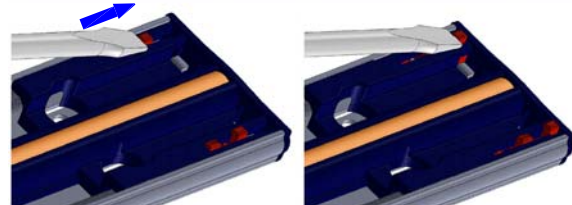
Mounting	Side	<p>Profile</p>
Side Clearance	12.7mm +0.8/0	
Height	45.5mm	
Soft-Closing Stroke	10"-14"=20mm, 16"-28"=36mm	
Material	Steel	
Load Rating	45kg at 22" (550mm)	
Size	10" to 28" (250mm to 700mm)	
Travel	Full Extension 16"~28"	
Disconnect	Lever (Non-handed design)	
Finish	Electro-Zinc plated with clear, yellow or black chromate	

Slide Dimensions

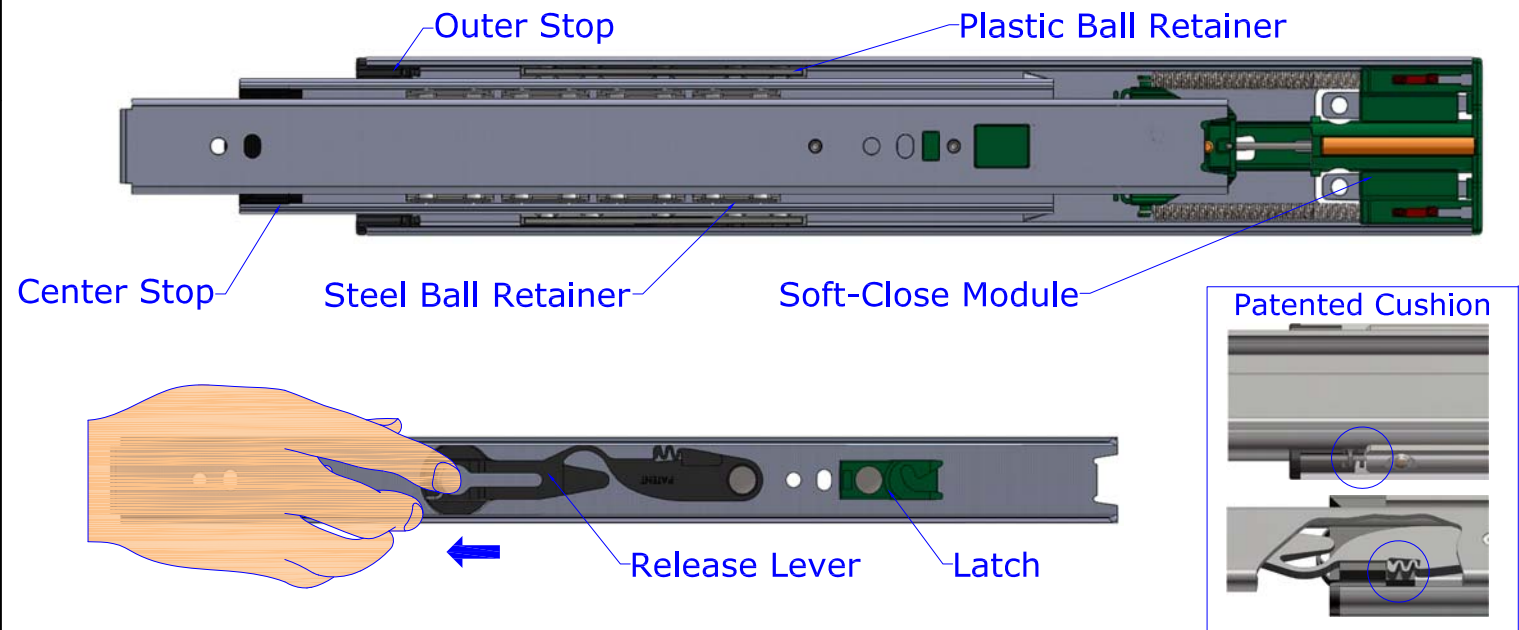
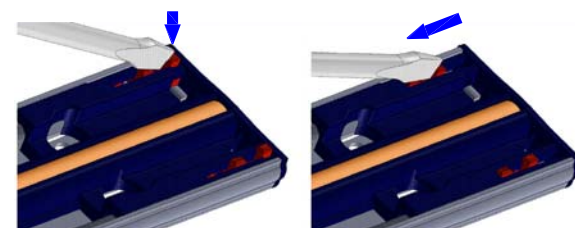


SIZE	Slide length	Slide Travel	Load Rating/Kg	A	B	C	D	E	F	G	H
10" (250)	250	164	15				124				
12" (300)	300	265	20				174				
14" (350)	350	340	25				224	160			
16" (400)	400	400	30	96			256	176			
18" (450)	450	450	35	128			306	128	224		
20" (500)	500	502	40	96	160		344	128	288		
22" (550)	550	550	45	96	160		394	128	224	320	
24" (600)	600	600	35	128	192		444	128	256	384	
26" (650)	650	650	35	128	224	416	494	128	224	320	416
28" (700)	700	700	35	128	224	480	544	128	224	352	480

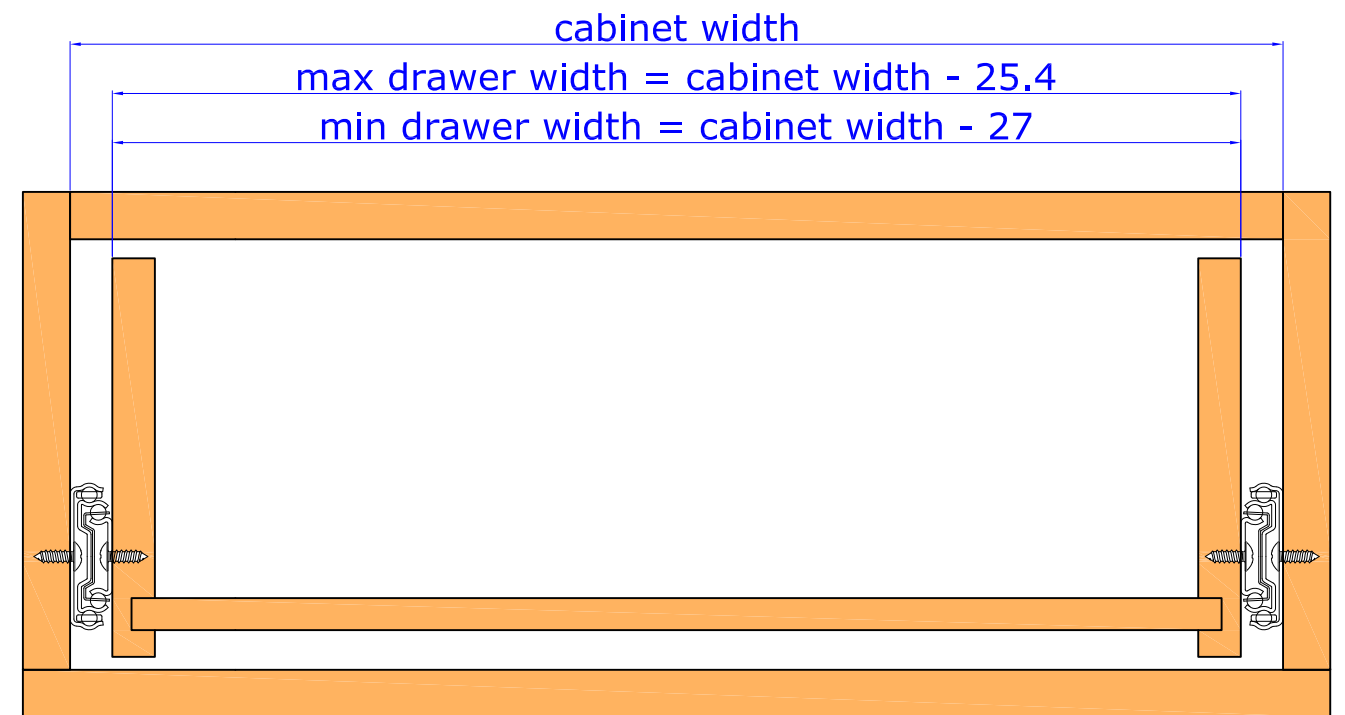
To increase the spring tension (more closing force)
Use a slotted screwdriver to push adjustment pads (Δ) rearward as seen in the picture.



To decrease the tension (less closing force)
use a slotted screwdriver to push down on adjustment pads (RESET) and then pull forward as seen in picture.



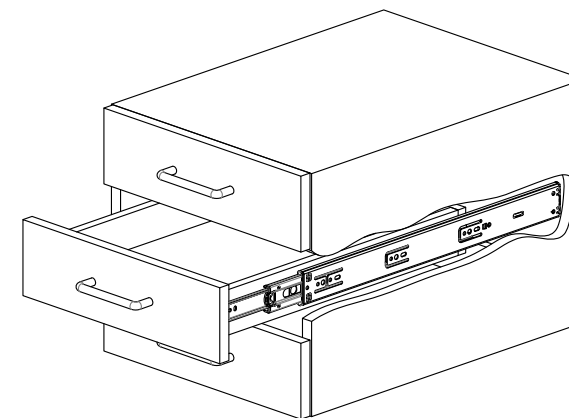
Drawer Slide Mounting Profile



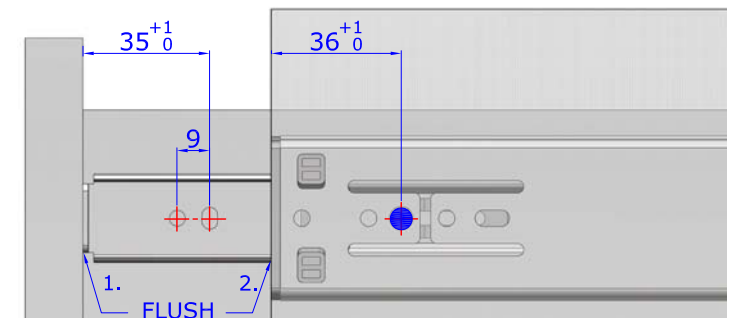
* $\text{max drawer width} = \text{slide length} + 200 \text{ (mm)}$

APPLICATIONS:

For use in wood pedestals, dresser, desk, casework, residential and kitchen cabinetry.



10"-14" 20mm stroke of Soft-Closing
16"-28" 36mm stroke of Soft-Closing



1. Flush the inner member with the inside of the panel.
 2. Flush the outer member with the front of the cabinet.
- * Setback more than 1mm with inner member or outer member may cause damage to the soft close module when closing.