



# A270-02

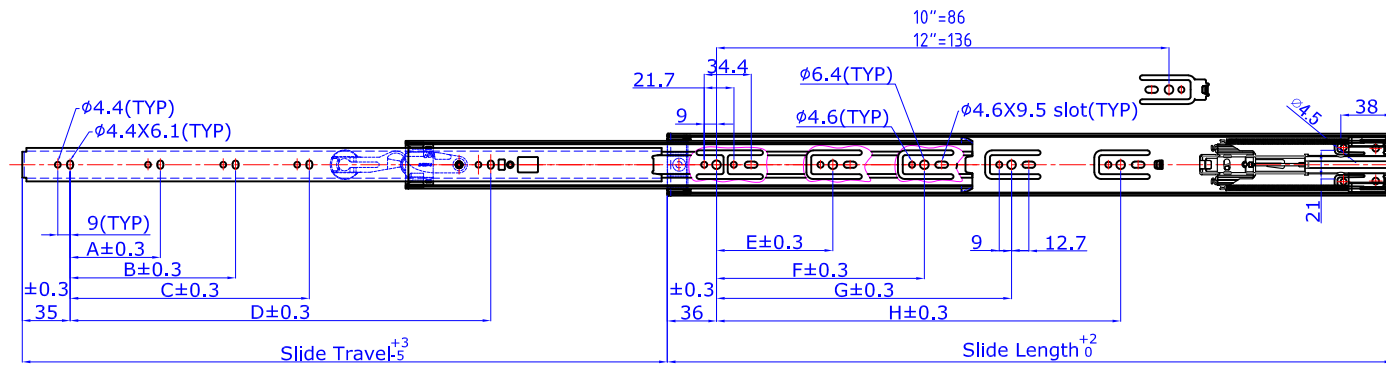


## SOFT-CLOSE DRAWER SLIDE

|                            |  |                |
|----------------------------|--|----------------|
| <b>Mounting</b>            | Side   | <p>Profile</p> |
| <b>Side Clearance</b>      | 12.7mm +0.8/0  |                |
| <b>Height</b>              | 45.5mm   |                |
| <b>Soft-Closing Stroke</b> | 10"-14"=20mm, 16"-28"=36mm                               |                |
| <b>Material</b>            | Steel  |                |
| <b>Load Rating</b>         | 45kg at 22" (550mm)                                      |                |
| <b>Size</b>                | 10" to 28" (250mm to 700mm)                              |                |
| <b>Travel</b>              | Full Extension 16"~28"                                   |                |
| <b>Disconnect</b>          | Lever (Non-handed design)                                |                |
| <b>Finish</b>              | Electro-Zinc plated with clear, yellow or black chromate |                |

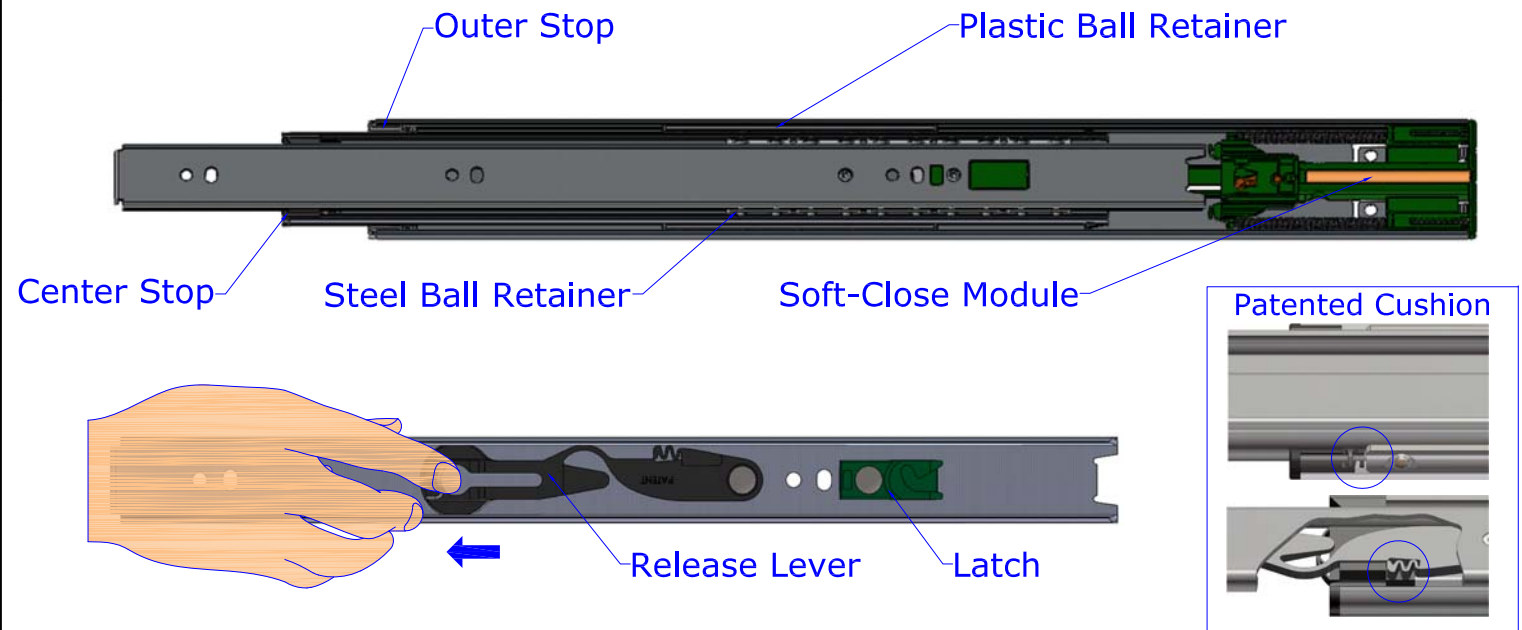
All Dimensions are in Millimeters (mm)

### Slide Dimensions

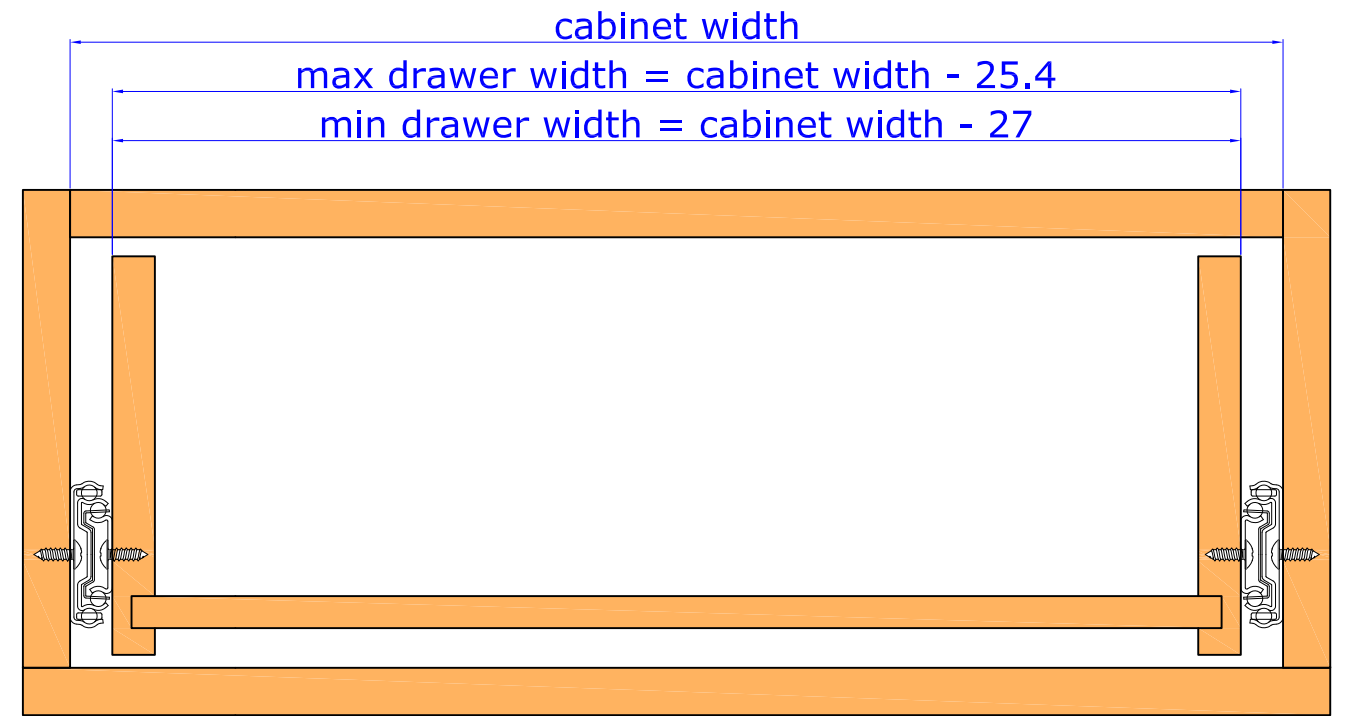


| SIZE      | Slide length | Slide Travel | Load Rating/Kg | A   | B   | C   | D   | E   | F   | G   | H   |
|-----------|--------------|--------------|----------------|-----|-----|-----|-----|-----|-----|-----|-----|
| 10" (250) | 250          | 164          | 15             |     |     |     | 124 |     |     |     |     |
| 12" (300) | 300          | 265          | 20             |     |     |     | 174 |     |     |     |     |
| 14" (350) | 350          | 340          | 25             |     |     |     | 224 | 160 |     |     |     |
| 16" (400) | 400          | 400          | 30             | 96  |     |     | 256 | 176 |     |     |     |
| 18" (450) | 450          | 450          | 35             | 128 |     |     | 306 | 128 | 224 |     |     |
| 20" (500) | 500          | 502          | 40             | 96  | 160 |     | 344 | 128 | 288 |     |     |
| 22" (550) | 550          | 550          | 45             | 96  | 160 |     | 394 | 128 | 224 | 320 |     |
| 24" (600) | 600          | 600          | 35             | 128 | 192 |     | 444 | 128 | 256 | 384 |     |
| 26" (650) | 650          | 650          | 35             | 128 | 224 | 416 | 494 | 128 | 224 | 320 | 416 |
| 28" (700) | 700          | 700          | 35             | 128 | 224 | 480 | 544 | 128 | 224 | 352 | 480 |

mm



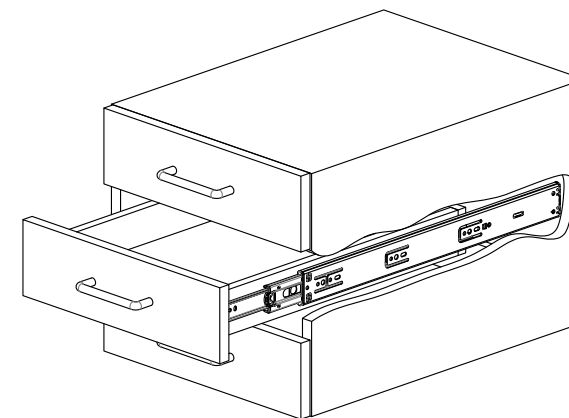
### Drawer Slide Mounting Profile



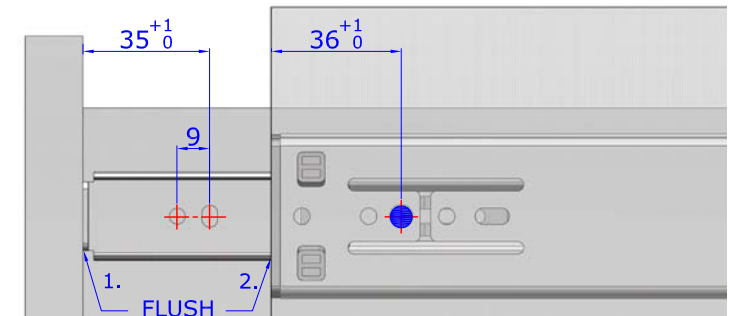
\* max drawer width = slide length + 200 (mm)

### APPLICATIONS:

For use in wood pedestals, dresser, desk, casework, residential and kitchen cabinetry.



10"-14" 20mm stroke of Soft-Closing  
16"-28" 36mm stroke of Soft-Closing



1. Flush the inner member with the inside of the panel.
  2. Flush the outer member with the front of the cabinet.
- \* Setback more than 1mm with inner member or outer member may cause damage to the soft close module when closing.