

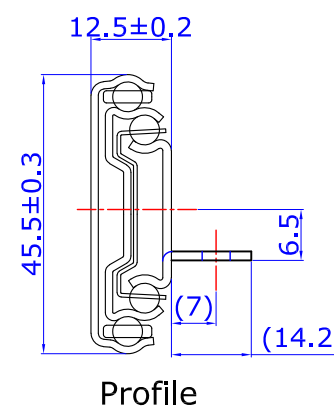


A271-00



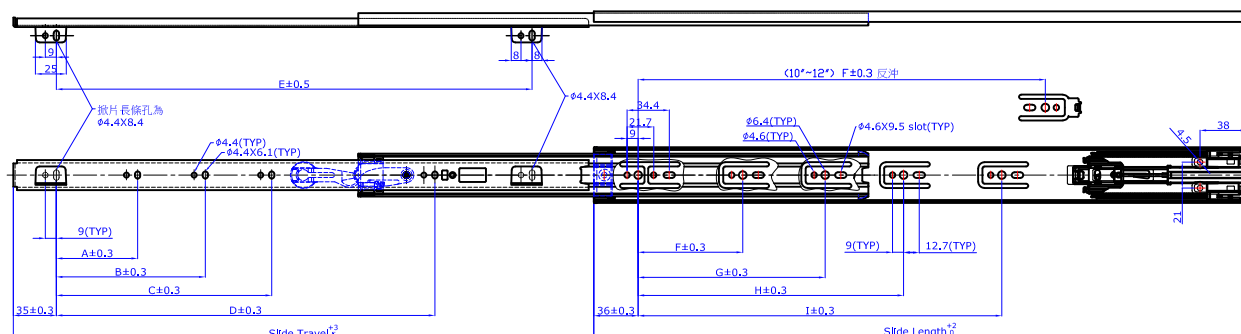
SOFT-CLOSE DRAWER SLIDE

Mounting	Side and bottom
Side Clearance	12.7mm +0.8/0
Height	45.5mm
Soft-Closing Stroke	10"-14"=20mm, 16"-28"=36mm
Material	Steel
Load Rating	40kg at 22" (550mm)
Size	10" to 28" (250mm to 700mm)
Travel	Full Extension 16"~28"
Disconnect	Lever (Non-handed design)
Finish	Electro-Zinc plated with clear, yellow or black chromate



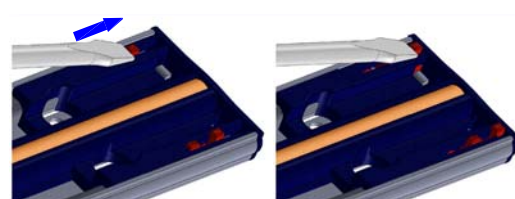
All Dimensions are in Millimeters (mm)

Slide Dimensions

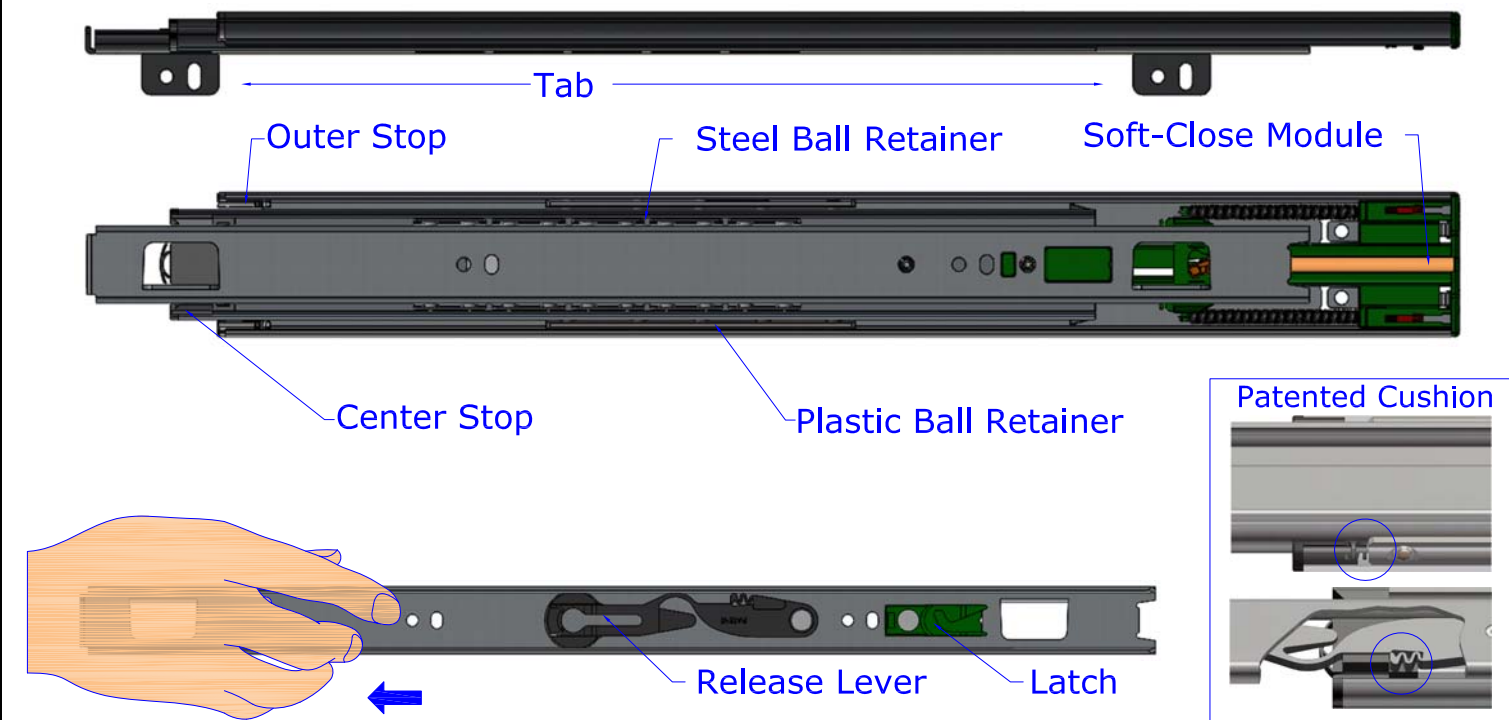


SIZE	Slide length	Slide Travel	Load Rating/Kg	A	B	C	D	E	F	G	H	I
10" (250)	250	164	10				124	185	86			
12" (300)	300	265	15				174	235	136			
14" (350)	350	340	20				224	285	160			
16" (400)	400	400	25	96			256	320	176			
18" (450)	450	450	30	128			306	370	128	224		
20" (500)	500	502	35	96	160		344	420	128	288		
22" (550)	550	550	40	96	160		394	470	128	224	320	
24" (600)	600	600	30	128	192		444	520	128	256	384	
26" (650)	650	650	30	128	224	416	494	570	128	224	320	416
28" (700)	700	700	30	128	224	480	544	620	128	224	352	480

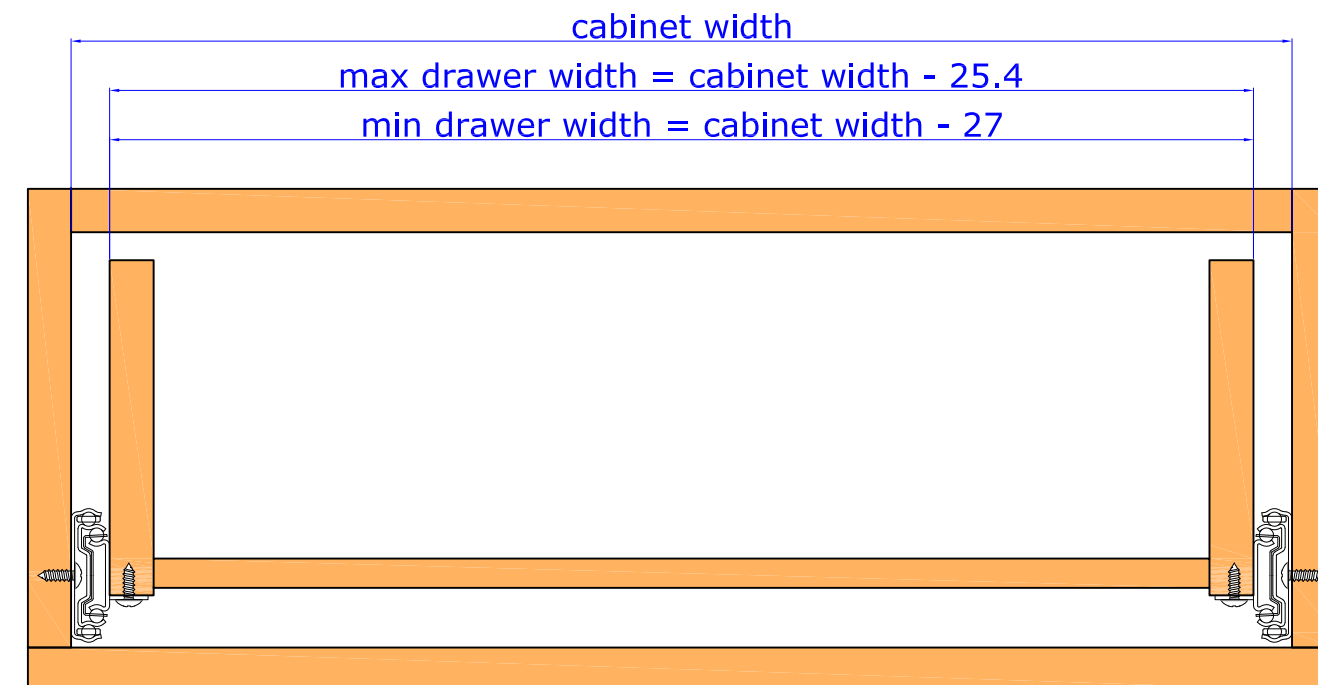
To increase the spring tension (more closing force)
Use a slotted screwdriver to push adjustment pads (Δ) rearward as seen in the picture.



To decrease the tension (less closing force)
use a slotted screwdriver to push down on adjustment pads (RESET) and then pull forward as seen in picture.



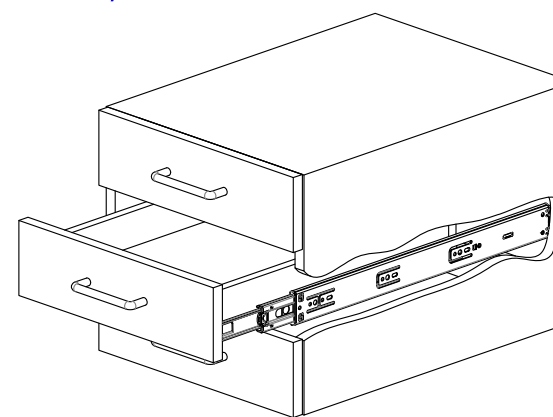
Drawer Slide Mounting Profile



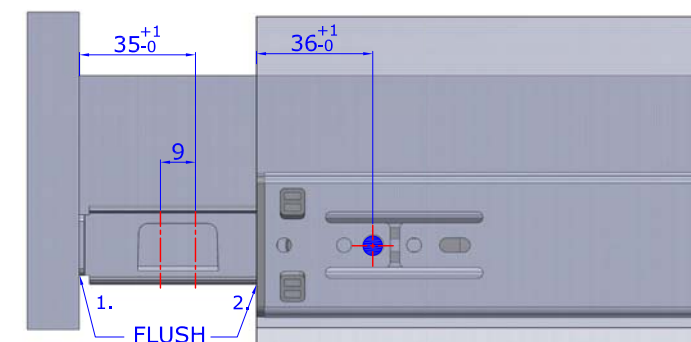
* max drawer width = slide length + 200 (mm)

APPLICATIONS:

For use in wood pedestals, dresser, desk, casework, residential and kitchen cabinetry.



10"-14" 20mm stroke of Soft-Closing
16"-28" 36mm stroke of Soft-Closing



1. Flush the inner member with the inside of the panel.
 2. Flush the outer member with the front of the cabinet.
- * Setback more than 1mm with inner member or outer member may cause damage to the soft close module when closing.