

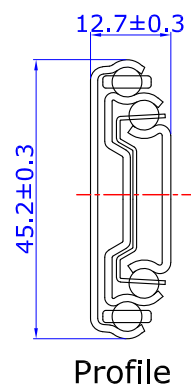


A670-00



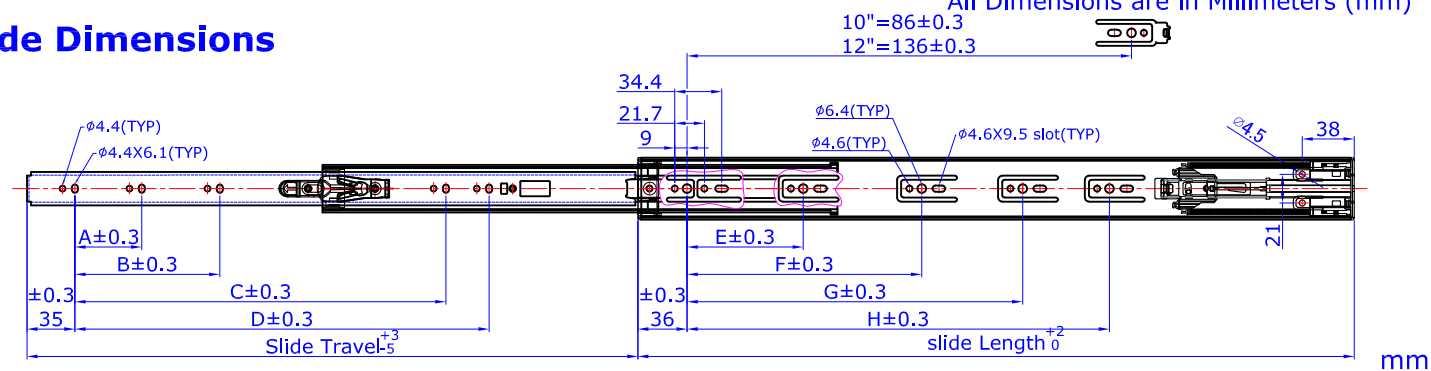
SOFT-CLOSE DRAWER SLIDE

Mounting	Side
Side Clearance	13mm +0.8/0
Height	45.2mm
Soft-Closing Stroke	10"~14"=20mm, 16"~28"=36mm
Material	SUS 304
Load Rating	35kg at 20" (500mm)
Size	10" to 28" (250mm to 700mm)
Travel	Full Extension (Sizes 16" to 28")
Disconnect	Butterfly Release
Finish	-



Slide Dimensions

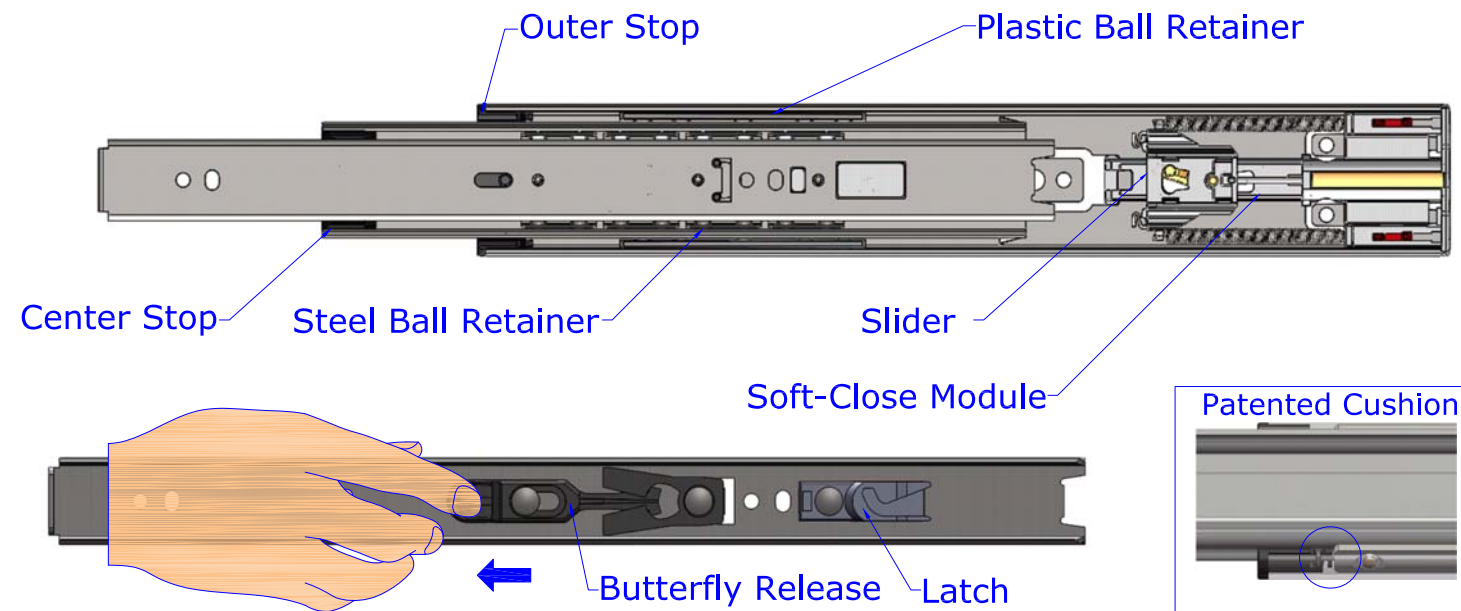
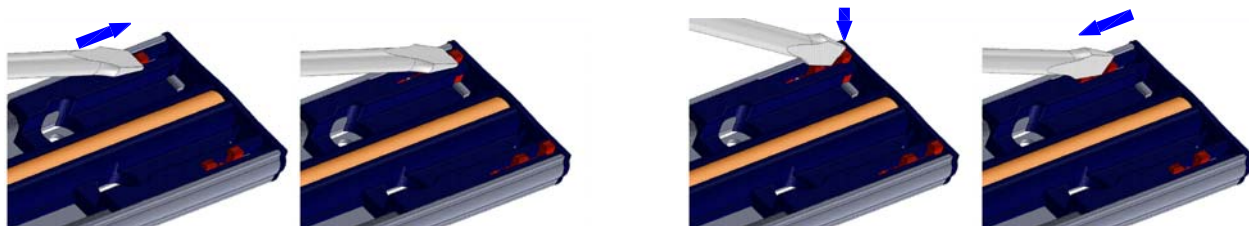
All Dimensions are in Millimeters (mm)



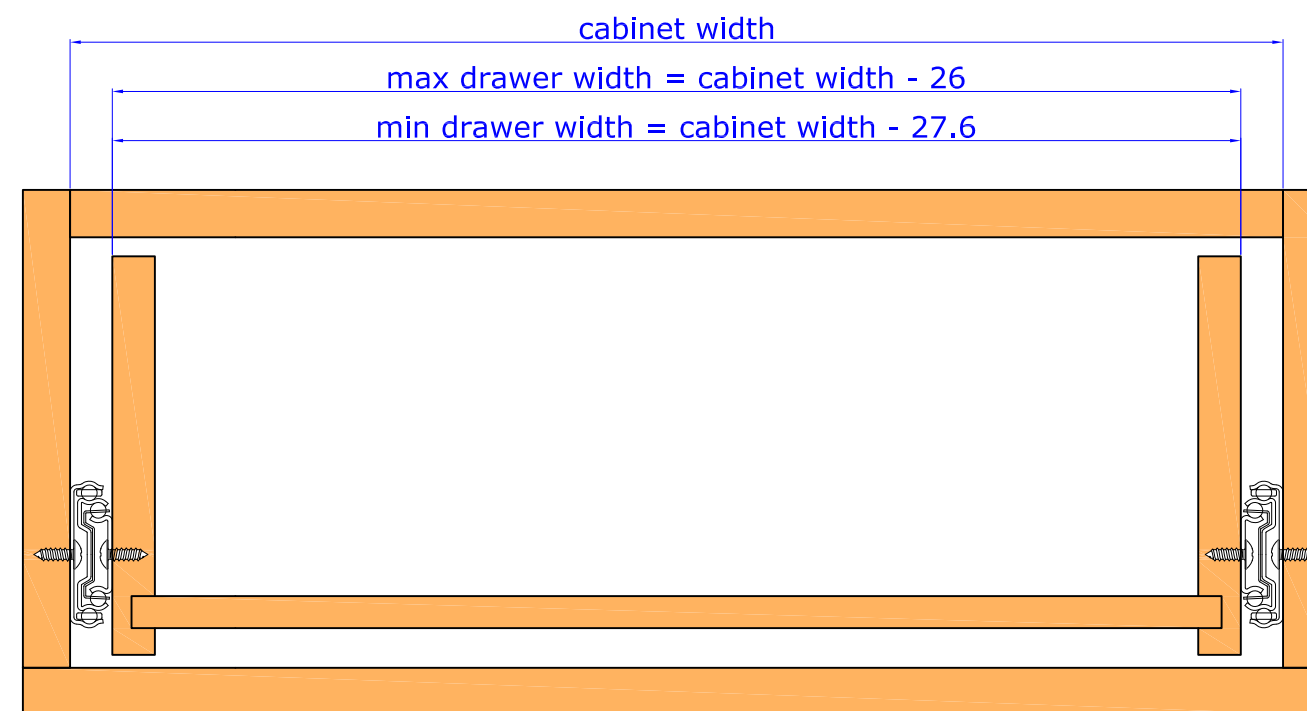
SIZE	Slide Length	Slide Travel	Load Rating/Kg	A	B	C	D	E	F	G	H
10" (250)	250	164	15				124				
12" (300)	300	265	20				174				
14" (350)	350	340	20				224	160			
16" (400)	400	400	20	96			256	176			
18" (450)	450	450	30	128			306	128	224		
20" (500)	500	500	35	96	160		344	128	288		
22" (550)	550	550	35	96	160		394	128	224	320	
24" (600)	600	600	35	128	192		444	128	256	384	
26" (650)	650	650	35	128	224	416	494	128	224	320	416
28" (700)	700	700	35	128	224	480	544	128	224	352	480

To increase the spring tension (more closing force)
Use a slotted screwdriver to push adjustment pads (Δ) rearward as seen in the picture.

To decrease the tension (less closing force)
use a slotted screwdriver to push down on adjustment pads (RESET) and then pull forward as seen in picture.

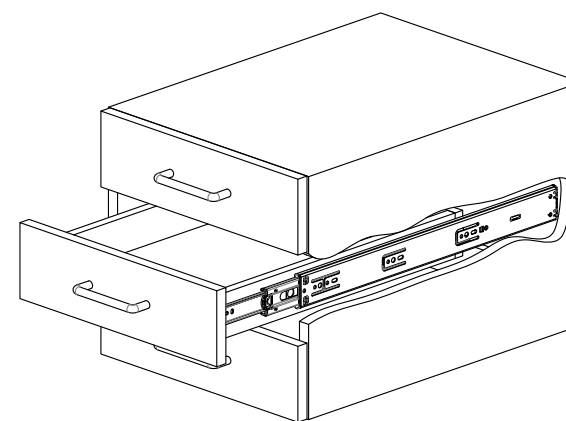


Drawer Slide Mounting Profile

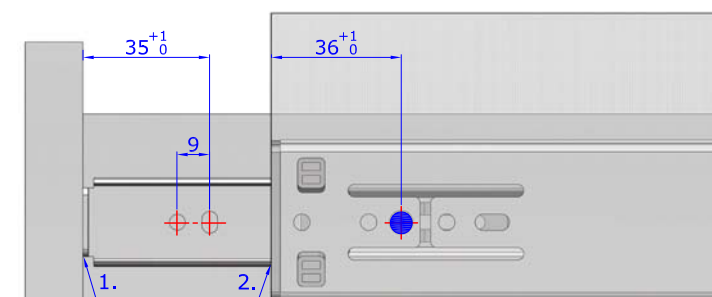


* max drawer width = slide length + 200 (mm)

APPLICATIONS:
Various appliances or any application requiring corrosion resistance.



10"~14" = 20mm stroke of Soft-Closing
16"~28" = 36mm stroke of Soft-Closing



1. Flush the inner member with the inside of the panel.
2. Flush the outer member with the front of the cabinet.
* Setback more than 1mm with inner member or outer member may cause damage to the soft close module when closing.